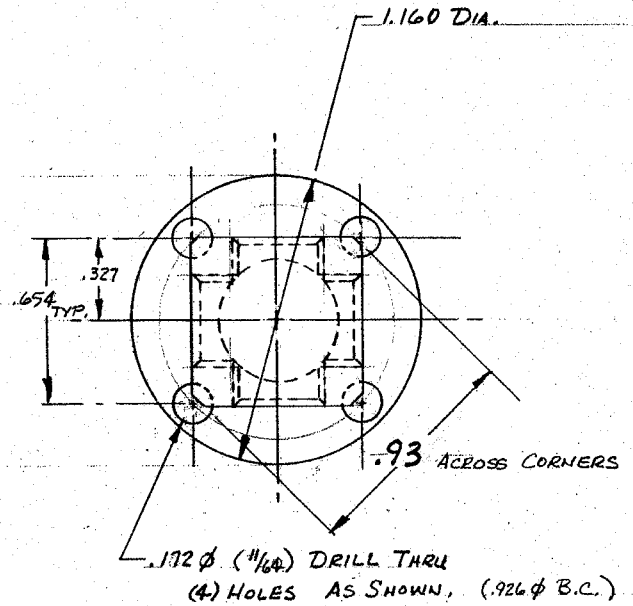
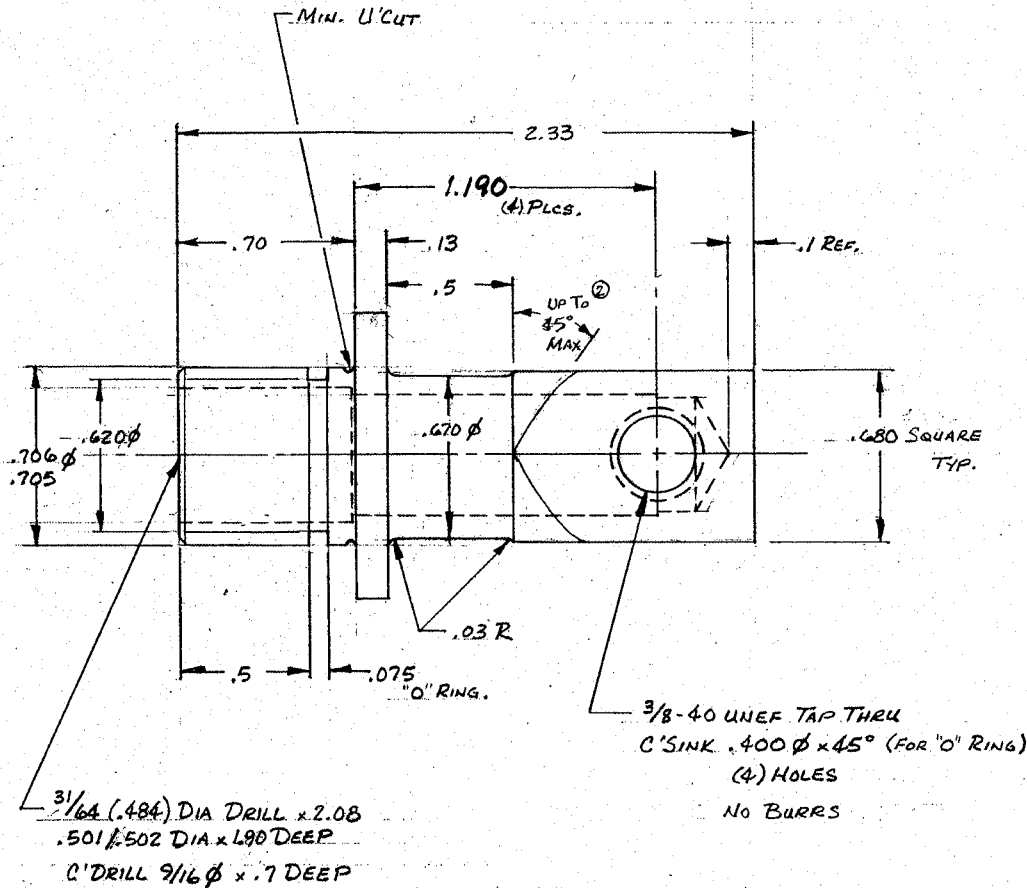


REVIEWED BY
GARY HOOFNAGLE

3-29-06 ~~64~~



MATERIAL 303 STAINLESS

.X \pm .030
.XX \pm .015
.XXX \pm .005

Tool Eye / NC
TOUCH MASTER

MAZAK OLD STYLE

911204

BREAK ALL SHARP EDGES .005-.010

- (2) THIS CAN HAVE UP TO A 45° ANGLE
CAUSED BY DIVING A TURNING TOOL

WAS 1.200 #.94 3-29-06 ~~64~~